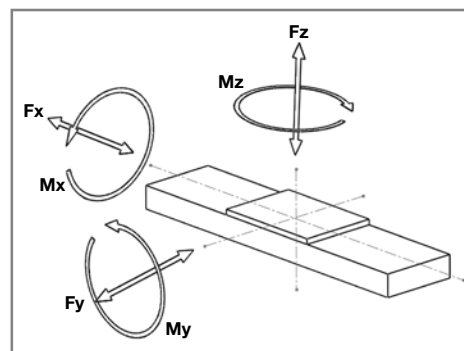
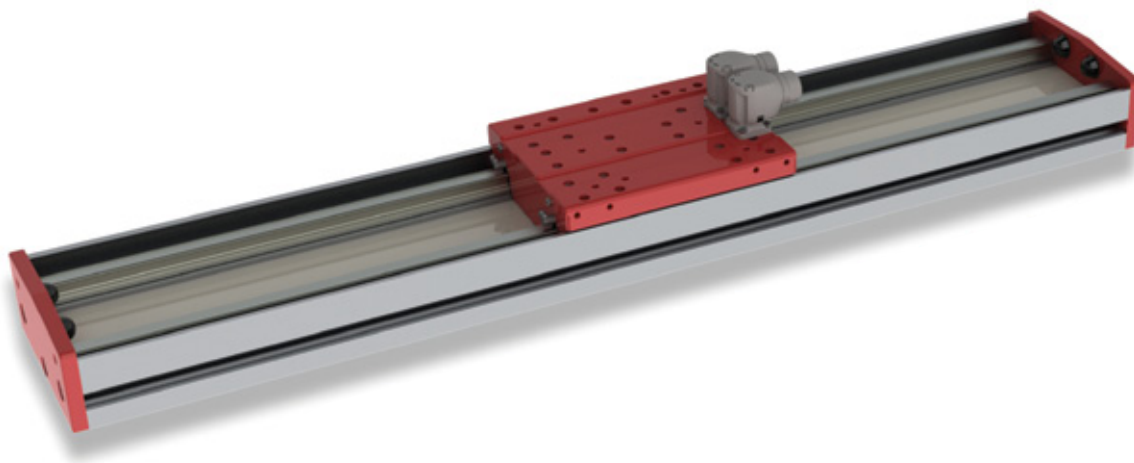




MLE 3 linear motor stages

Technical Description



Maximum Length without joints: up to 3.600 mm
 For code descriptions please see the "Order Code" on page 18

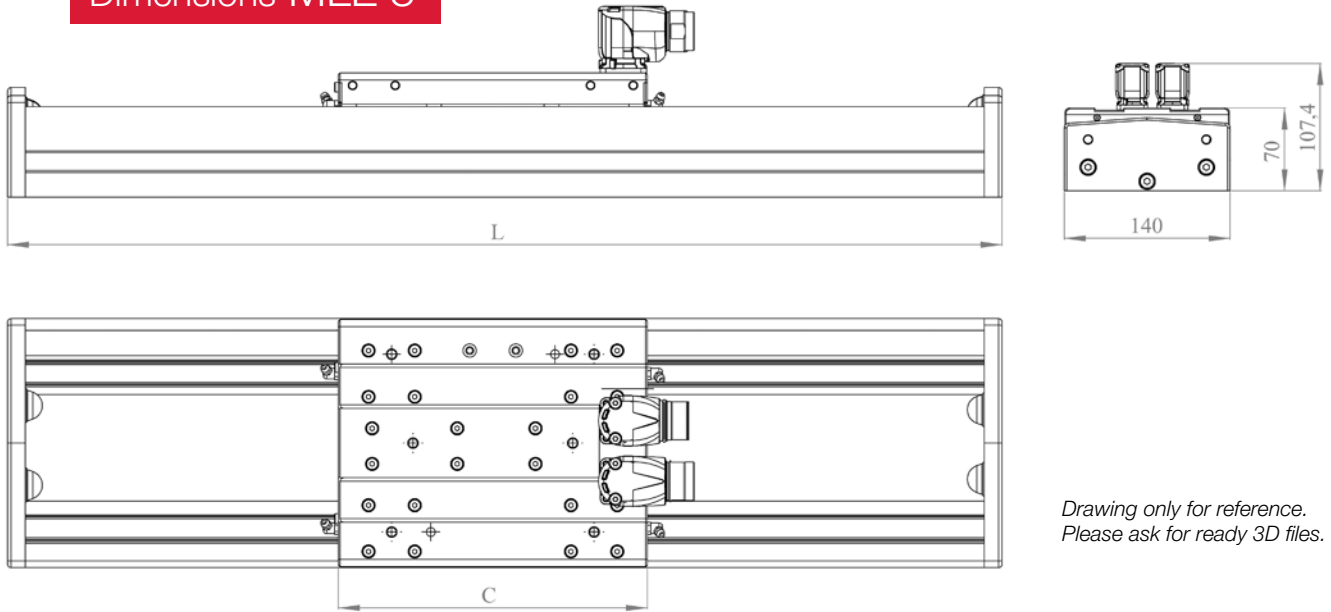
Mechanical specifications

	MLE 30105		MLE 30210		MLE 30420	
	HR		HS	HR	HS	HR
Linear motor features						
Maximum speed at 560Vdc	m/s		5			
Continuous force aircooled F_x ¹⁾	N	55	105		210	
Peak force F_{xp}	N	105	210		420	
Nominal current	A	1,5	3,0		6,0	
Peak current	A	3,1	6,2		12,4	
Guidance features						
F_y	N	1500	1500	1500	1500	1500
F_z	N	1000	1000	1000	1000	1000
M_x	Nm	180	180	180	180	180
M_y	Nm	280	280	320	320	400
M_z	Nm	280	280	320	320	400
Structure profile features						
Geometrical moments of inertia L_x	mm ⁴	3,72x10 ⁵				
Geometrical moments of inertia L_y	mm ⁴	55,58x10 ⁵				
Elastic module	N/mm ²	70000				
Weight						
Weight of carriage	kg	2,2	2,9	3,1	3,8	4,1
Weight of 100 mm	kg	1,2				

¹⁾ depending on application and temperature



Dimensions MLE 3



Drawing only for reference.
Please ask for ready 3D files.

Choice of stroke

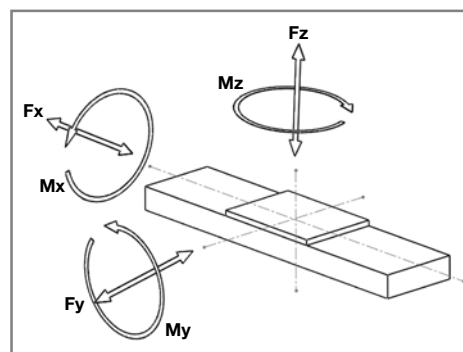
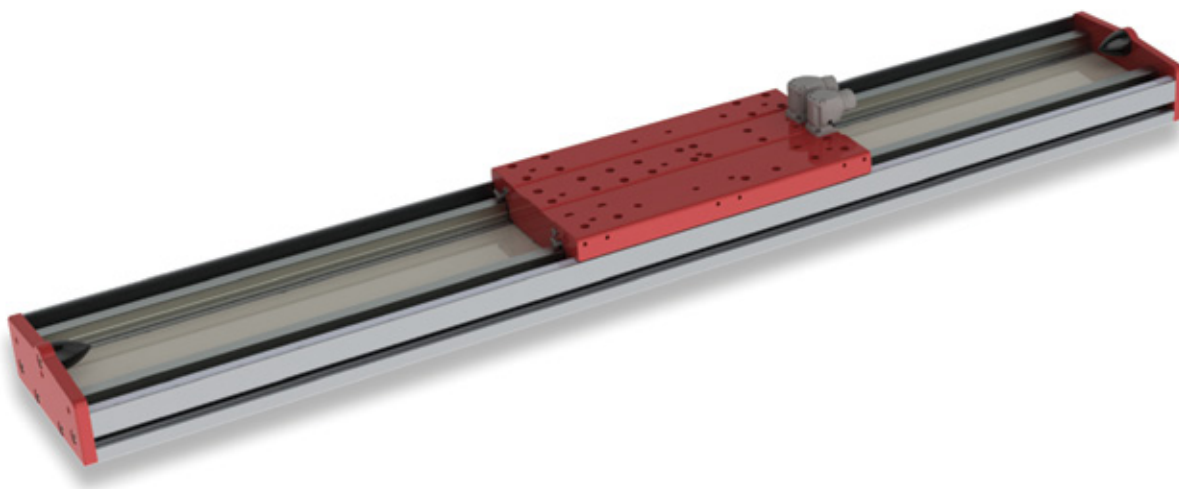
		MLE 30105		MLE 30210		MLE 30420	
		HR	HS	HR	HS	HR	HS
Carriage length C, mm		182	182	272	272	350	
Length, mm	Code	Stroke ⁽²⁾					
368	00368	146	146	56	56	-	
416	00416	194	194	104	104	26	
512	00512	290	290	200	200	122	
560	00560	338	338	248	248	170	
608	00608	386	386	296	296	218	
656	00656	434	434	344	344	266	
704	00704	482	482	392	392	314	
752	00752	530	530	440	440	362	
800	00800	578	578	488	488	410	
896	00896	674	674	584	584	506	
944	00944	722	722	632	632	554	
1088	01088	866	866	776	776	698	
1184	01184	962	962	872	872	794	
1328	01328	1106	1106	1016	1016	938	
1472	01472	1250	1250	1160	1160	1082	
1568	01568	1346	1346	1256	1256	1178	
1712	01712	1490	1490	1400	1400	1322	
1856	01856	1634	1634	1544	1544	1466	
1952	01952	1730	1730	1640	1640	1562	
2096	02096	1874	1874	1784	1784	1706	
2240	02240	2018	2018	1928	1928	1850	
2336	02336	2114	2114	2024	2024	1946	
2480	02480	2258	2258	2168	2168	2090	
2624	02624	2402	2402	2312	2312	2234	
2720	02720	2498	2498	2408	2408	2330	
2864	02864	2642	2642	2552	2552	2474	
3008	03008	2786	2786	2696	2696	2618	
3104	03104	2882	2882	2792	2792	2714	
3248	03248	3026	3026	2936	2936	2858	
3392	03392	3170	3170	3080	3080	3002	
3488	03488	3266	3266	3176	3176	3098	

²⁾ Other stroke lengths are available upon request.



MLE 5 linear motor stages

Technical Description



Maximum Length without joints: up to 3.600 mm
 For code descriptions please see the "Order Code" on page 18

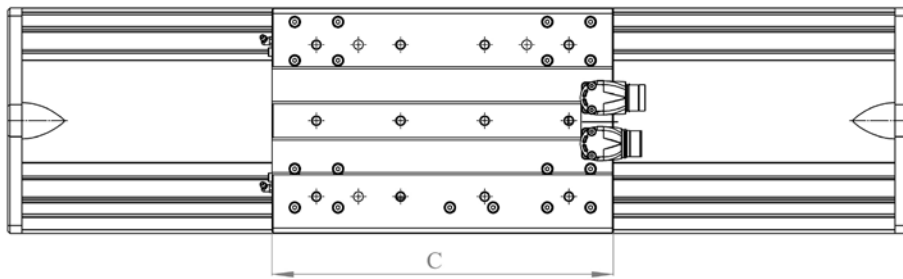
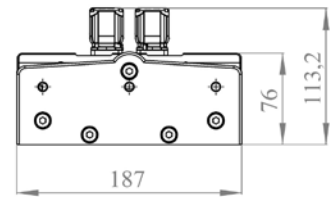
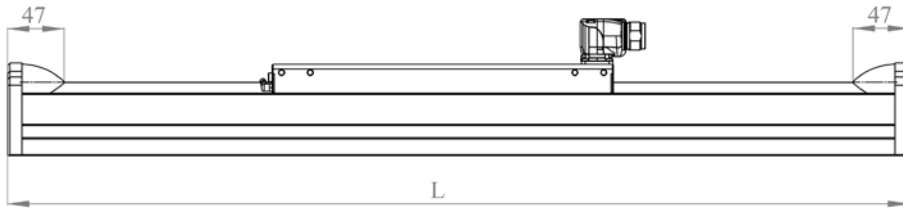
Mechanical specifications

	MLE 50400		MLE 50800		MLE 51000		MLE 51200		MLE 51600		
	S	R	S	R	S	R	S	R	S	R	
Linear motor features											
Maximum speed at 560Vdc	m/s				5						
Continuous force aircooled F_x ¹⁾	N	200	400		500		600		800		
Peak force F_{xp}	N	400	800		1000		1200		1600		
Nominal current	A	2,5	5,0		5,2		7,5		10,0		
Peak current	A	5,0	10,0		10,4		15,0		20,0		
Guidance features											
F_y	N	3000	3000	3000	3000	3000	4500	4500	4500	4500	
F_z	N	2000	2000	2000	2000	2000	3000	3000	3000	3000	
M_x	Nm	450	450	450	450	450	750	750	750	750	
M_y	Nm	600	700	700	750	750	1000	1000	1500	2000	
M_z	Nm	600	700	700	750	750	1000	1000	1500	2000	
Structure profile features											
Geometrical moments of inertia L_x	mm ⁴					5,6x10 ⁵					
Geometrical moments of inertia L_y	mm ⁴					144,63x10 ⁵					
Elastic module	N/mm ²					70000					
Weight											
Weight of carriage	kg	4,5	4,9	6,0	6,4	7,0	8,1	8,7	10,0	14,0	16,0
Weight of 100 mm	kg					1,9					

¹⁾ depending on application and temperature



Dimensions MLE 5



Drawing only for reference.
Please ask for ready 3D files.

Choice of stroke

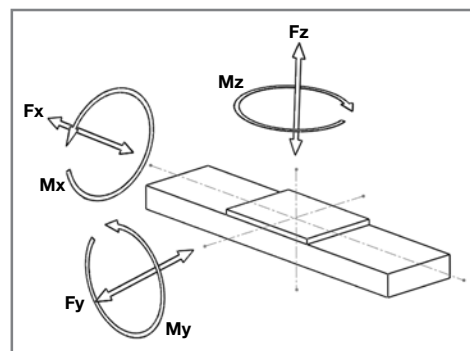
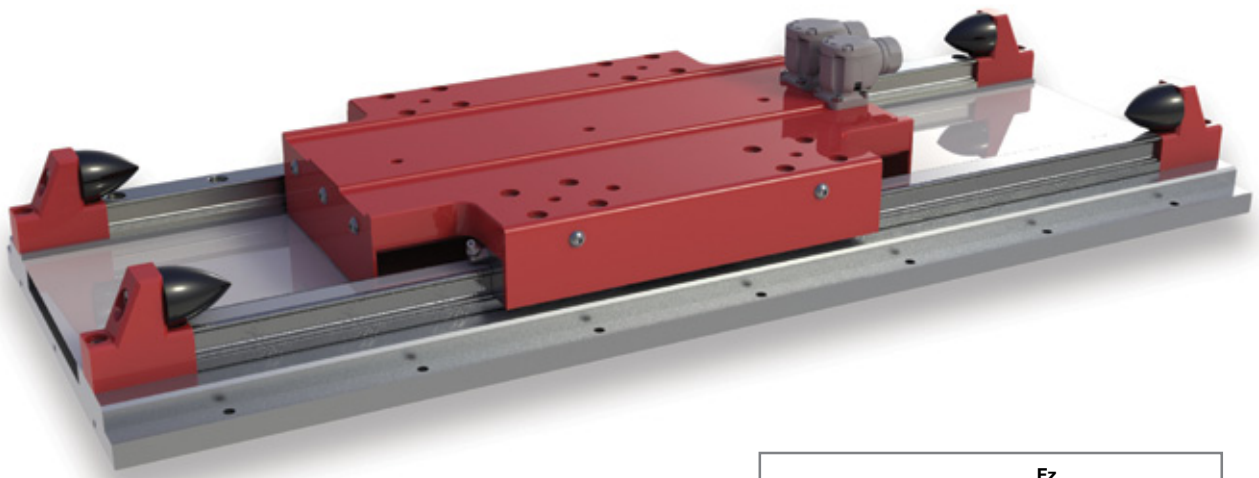
		MLE 50400		MLE 50800		MLE 51000		MLE 51200		MLE 51600	
		S	R	S	R	S	R	S	R	S	R
Carriage length C, mm		212	284	284	334	334	376	376	508	508	570
Length, mm	Code	Stroke ⁽²⁾									
462	00462	156	84	84	34	34	-	-	-	-	-
558	00558	252	180	180	130	130	88	88	-	-	-
654	00654	348	276	276	226	226	184	184	52	52	-
750	00750	444	372	372	322	322	280	280	148	148	86
846	00846	540	468	468	418	418	376	376	244	244	182
942	00942	636	564	564	514	514	472	472	340	340	278
1038	01038	732	660	660	610	610	568	568	436	436	374
1134	01134	828	756	756	706	706	664	664	532	532	470
1230	01230	924	852	852	802	802	760	760	628	628	566
1326	01326	1020	948	948	898	898	856	856	724	724	662
1422	01422	1116	1044	1044	994	994	952	952	820	820	758
1518	01518	1212	1140	1140	1090	1090	1048	1048	916	916	854
1614	01614	1308	1236	1236	1186	1186	1144	1144	1012	1012	950
1710	01710	1404	1332	1332	1282	1282	1240	1240	1108	1108	1046
1806	01806	1500	1428	1428	1378	1378	1336	1336	1204	1204	1142
1902	01902	1596	1524	1524	1474	1474	1432	1432	1300	1300	1238
1998	01998	1692	1620	1620	1570	1570	1528	1528	1396	1396	1334
2094	02094	1788	1716	1716	1666	1666	1624	1624	1492	1492	1430
2382	02382	2076	2004	2004	1954	1954	1912	1912	1780	1780	1718
2670	02670	2364	2292	2292	2242	2242	2200	2200	2068	2068	2006
2958	02958	2652	2580	2580	2530	2530	2488	2488	2356	2356	2294
3246	03246	2940	2868	2868	2818	2818	2776	2776	2644	2644	2582
3534	03534	3228	3156	3156	3106	3106	3064	3064	2932	2932	2870
3630	03630	3324	3252	3252	3202	3202	3160	3160	3028	3028	2966

²⁾ Other stroke lengths are available upon request.



MLE 7 linear motor stages

Technical Description



Maximum Length without joints: up to 3.600 mm
For code descriptions please see the "Order Code" on page 18

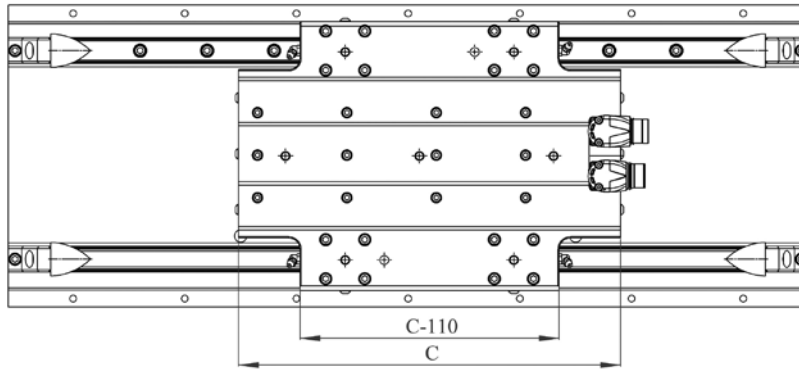
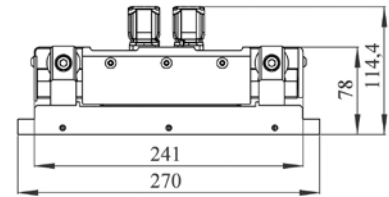
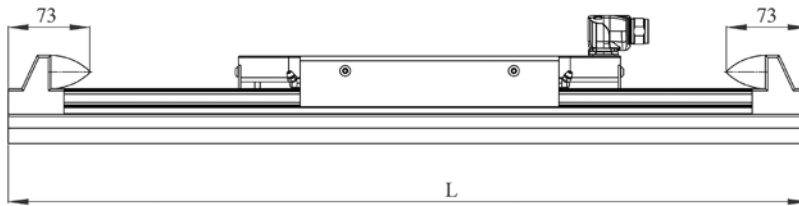
Mechanical specifications

	MLE 71600		MLE 72000		MLE 74000
	NR		NS	NR	NS
Linear motor features					
Maximum speed at 560Vdc	m/s	3		2,5	2,5
Continuous force aircooled F_x ¹⁾	N	800		1000	2000
Peak force F_{xp}	N	1600		2000	4000
Nominal current	A	4,1		4,2	8,5
Peak current	A	10		10	20
Guidance features					
F_y	N	5000	5000	7000	7000
F_z	N	3000	3000	5000	5000
M_x	Nm	800	800	1100	1100
M_y	Nm	900	900	1300	1300
M_z	Nm	900	900	1300	1300
Structure profile features					
Geometrical moments of inertia L_x	mm ⁴		2,30x10 ⁵		
Geometrical moments of inertia L_y	mm ⁴		338,14x10 ⁵		
Elastic module	N/mm ²		70000		
Weight					
Weight of carriage	kg	10,5	11,5	15,0	21,5
Weight of 100 mm	kg		3,0		

¹⁾ depending on application and temperature



Dimensions MLE 7



Drawing only for reference.
Please ask for ready 3D files.

Choice of stroke

	MLE 71600		MLE 72000		MLE 74000
	NR	NS	NR	NS	NS
Carriage length C, mm	342	342	620		620
Length, mm	Code	Stroke ⁽²⁾			
524	00524	146	146	-	-
716	00716	338	338	60	60
812	00812	434	434	156	156
908	00908	530	530	252	252
1004	01004	626	626	348	348
1100	01100	722	722	444	444
1196	01196	818	818	540	540
1292	01292	914	914	636	636
1388	01388	1010	1010	732	732
1484	01484	1106	1106	828	828
1580	01580	1202	1202	924	924
1676	01676	1298	1298	1020	1020
1772	01772	1394	1394	1116	1116
1868	01868	1490	1490	1212	1212
1964	01964	1586	1586	1308	1308
2060	02060	1682	1682	1404	1404
2156	02156	1778	1778	1500	1500
2252	02252	1874	1874	1596	1596
2348	02348	1970	1970	1692	1692
2444	02444	2066	2066	1788	1788
2636	02636	2258	2258	1980	1980
2732	02732	2354	2354	2076	2076
2828	02828	2450	2450	2172	2172
2924	02924	2546	2546	2268	2268
3020	03020	2642	2642	2364	2364
3116	03116	2738	2738	2460	2460
3212	03212	2834	2834	2556	2556
3308	03308	2930	2930	2652	2652

²⁾ Other stroke lengths are available upon request.